



Main applications

- Chemical and pharmaceutical industries
- Weighing systems
- Food processing plant
- Naval applications

Main features

- 8 relay or logic outputs
- LED indication of energised relays

GENERAL

The MD8 instrument is an external relay unit for use as an alarm expansion with any GEFran instrument that supports it. The MD8 makes available up to 8 relay outputs which may be configured internally as normally open or normally closed contacts.

Eight logic outputs are available as an alternative.

Eight faceplate LED's illuminate in the relay energised condition.

A simple 3-wires connection links the unit with the "master" instrument.

TECHNICAL DATA

INPUTS

Synchronous digital communication for GEFran instruments connection

OUTPUTS

Relay

NO/NC contact selectable by internal jumpers
5A/250Vac at $\cos\varphi = 1$
(3,5A at $\cos\varphi = 0,4$).
Spark suppression on the NO contact.

Logic

PNP 24V/15mA max.

POWER SUPPLY

100...240Vac $\pm 10\%$
20...27Vac/dc $\pm 10\%$
50/60Hz, 12VA max.

AMBIENT CONDITIONS

Working temperature: 0...50°C

Storage temperature: -20...70°C

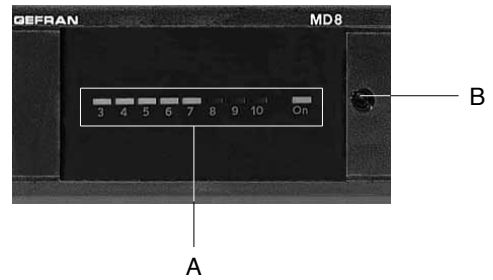
Humidity: 20...85%Ur non condensing

WEIGHT

600g

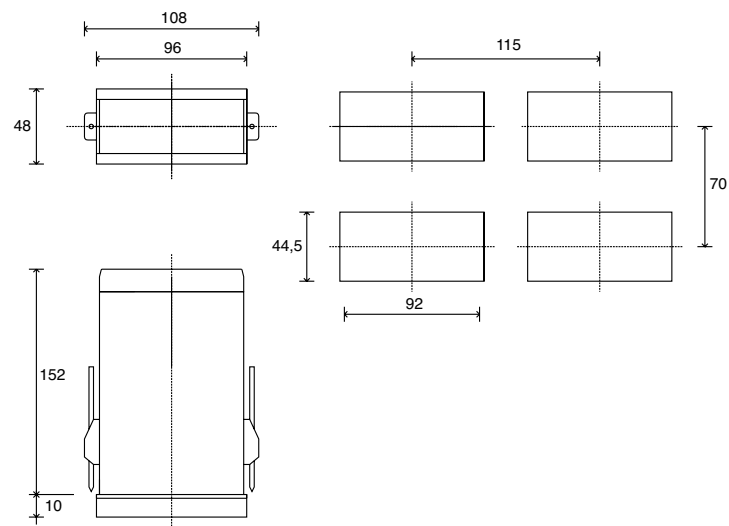
FACEPLATE DESCRIPTION

- A - Output indication, red LED
- B - Fixing screw



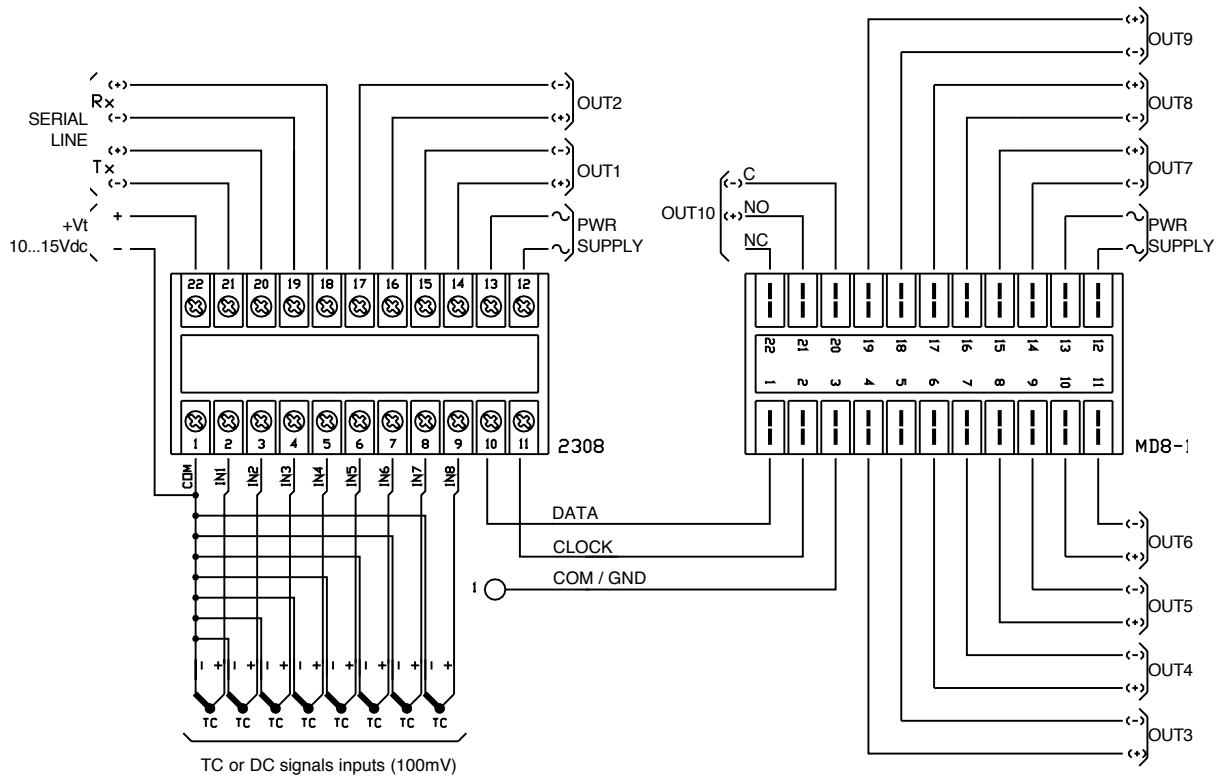
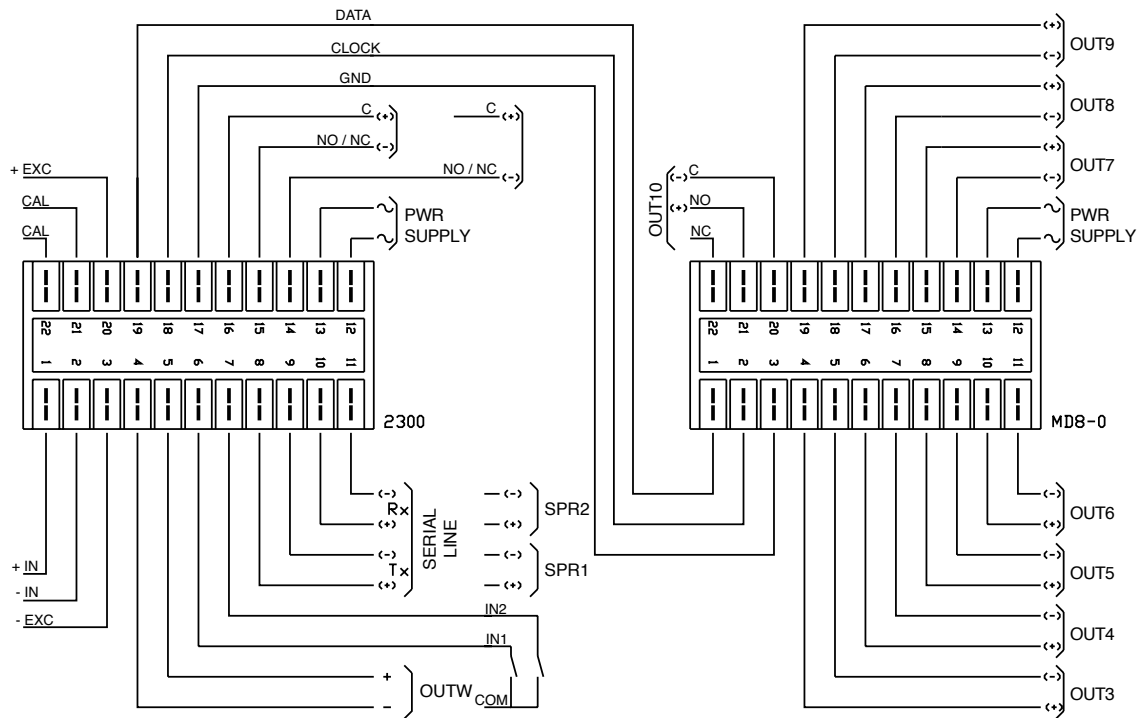
IP54 faceplate description (IP65 available)

DIMENSIONS AND CUT-OUT



Dimensions: 96x96mm (1/4 DIN), depth 152mm

CONNECTION DIAGRAM



For the connection with MD8-2 model, please refer to 2400 User's manual



Apply user's manual warnings for a correct installation

ORDER CODE

MD8

VERSION	
For model 2300	0
For models: 3500/4500 - 2308	1
For model 2400	2

OUTPUT	
Relay	R0
Logic	D2

POWER SUPPLY	
20...27Vac/dc	0
100...240Vac	1

Please, contact GEFTRAN sales people for the codes availability.

GEFRAN spa reserves the right to make any kind of design or functional modification at any moment without prior notice



The instrument conforms to the European Directives 2004/108/CE and 2006/95/CE with reference to the generic standards:
EN 61000-6-2 (immunity in industrial environment) **EN 61000-6-3** (emission in residential environment) **EN 61010-1** (safety)

GEFRAN

GEFRAN spa via Sebina, 74 - 25050 Provaglio d'Iseo (BS)
Tel. 03098881 - fax 0309839063 - Internet: <http://www.gefran.com>

DTS_MD8_07-2011_ENG