

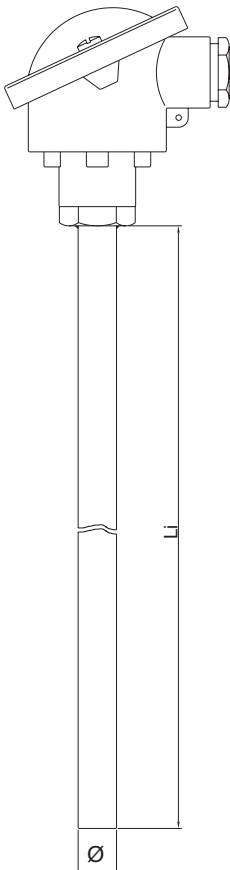


Main features

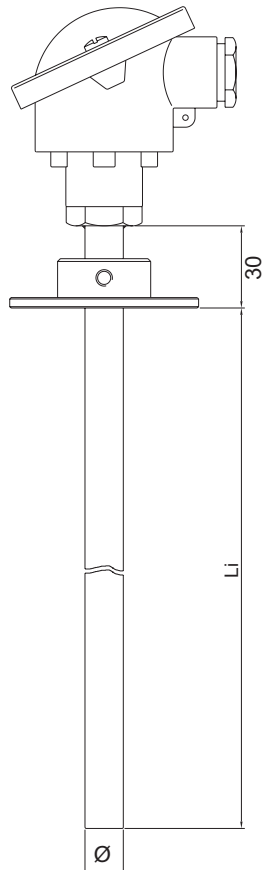
- Temperature limits:
 - 40 ... + 750° C for type J
 - 40 ... + 900° C for type E
 - 40 ... + 1000° C for type K
 (see table for sheath diameters)
- Tolerance (IEC standard 584.2/Class 2):
 - $\pm 2.5^{\circ} \text{C}$ (- 40 ... + 333° C)
 - $\pm 0.0075 [t]$ ($t > + 333^{\circ} \text{C}$)
- Ceramic insulation of the thermocouple element
- Application versatility

MODELS

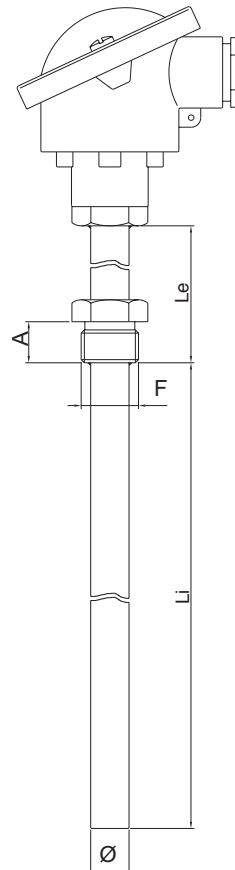
TC8 A
without fitting



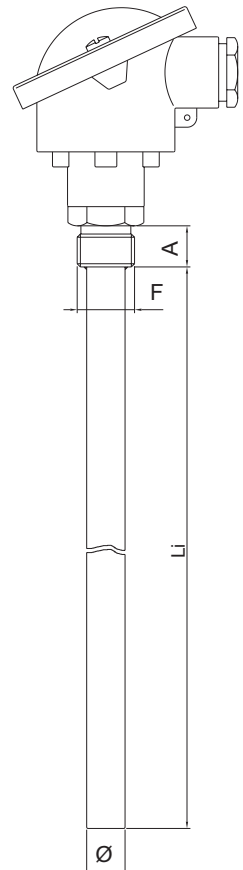
TC8 B
with adjustable flange



TC8 C
with welded fitting

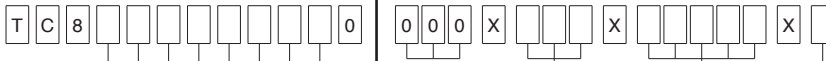


TC8 D
with welded fitting under the head



ORDER CODE

CODE



Model	
Without fitting	A
With adjustable flange	B
With welded fitting	C
With welded fitting under the head	D

Element + Hot Junction	
Single Insulated	1
Single Grounded	2
Double Insulated	3
Double Grounded	4

Thermocouple Type	
Fe - Cu/Ni	J
Ni/Cr - Ni/Al	K
Ni/Cr - Cu/Ni	E

Connection Head	
DIN B	C
DIN A	D
DIN BUS	E
EEX d IIC 2GD	F
CEAA	H

Sheath Material	
AISI 304	A
AISI 310	B
AISI 316	C
INCONEL 600	F

Sheath Diameter (mm)	
16	O
17.2 (3/8")	P
21.3 (1/2")	Q
26.7 (3/4")	T

Connection Thread *	
1/2" GAS "A"= 15mm	D
3/4" GAS "A"= 18mm	E
1" GAS "A"= 18mm	F
1/2" NPT	J
3/4" NPT	K
1" NPT	L

(*) To be shown for C and D models only

Conn. / Flange Material	
300 series stainless steel	2*
Aluminium	4**
Carbon steel	5**

(*) For fittings only
(**) For flanges only

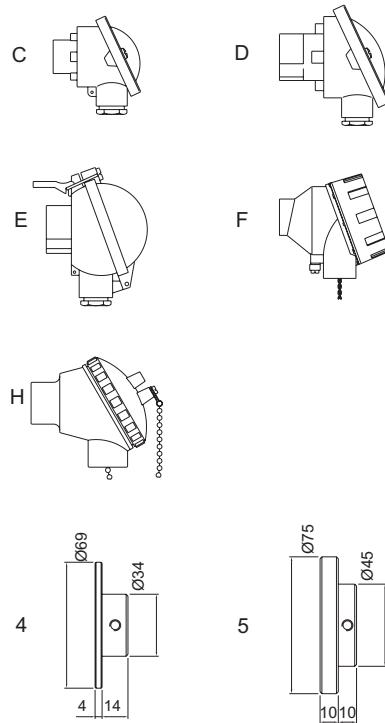
Certificates	
A	Conformity Report

LENGTHS AND ACCESSORIES

Li = Immersion Length (mm)	
Standard length from 200 to 2000mm with 50mm step	

Le = Extension Length (mm) (*)	
Standard length from 10 to 200mm with 10mm step	

(*) To be shown for TC8C model only



MOUNT (F)	Mod. C - D A (mm)	Availability of Mounts /Sheathing Diameter			
		Mount (F)	ø16	ø17.2	ø21.3
G 1/2	15	x	-	-	-
G 3/4	18	x	x	x	-
G 1	20	x	x	x	x
1/2 NPT	20	x	-	-	-
3/4 NPT	20	x	x	x	x
1 NPT	25	x	x	x	x

GEFRAN spa reserves the right to make any kind of design or functional modification at any moment without prior notice

GEFRAN spa
via Sebina, 74
25050 PROVAGLIO D'ISEO (BS) - ITALIA
ph. 0309888.1 - fax. 0309839063
Internet: <http://www.gefran.com>
www.gefranonline.com

GEFRAN

DTS_TC8_12-2015_ENG