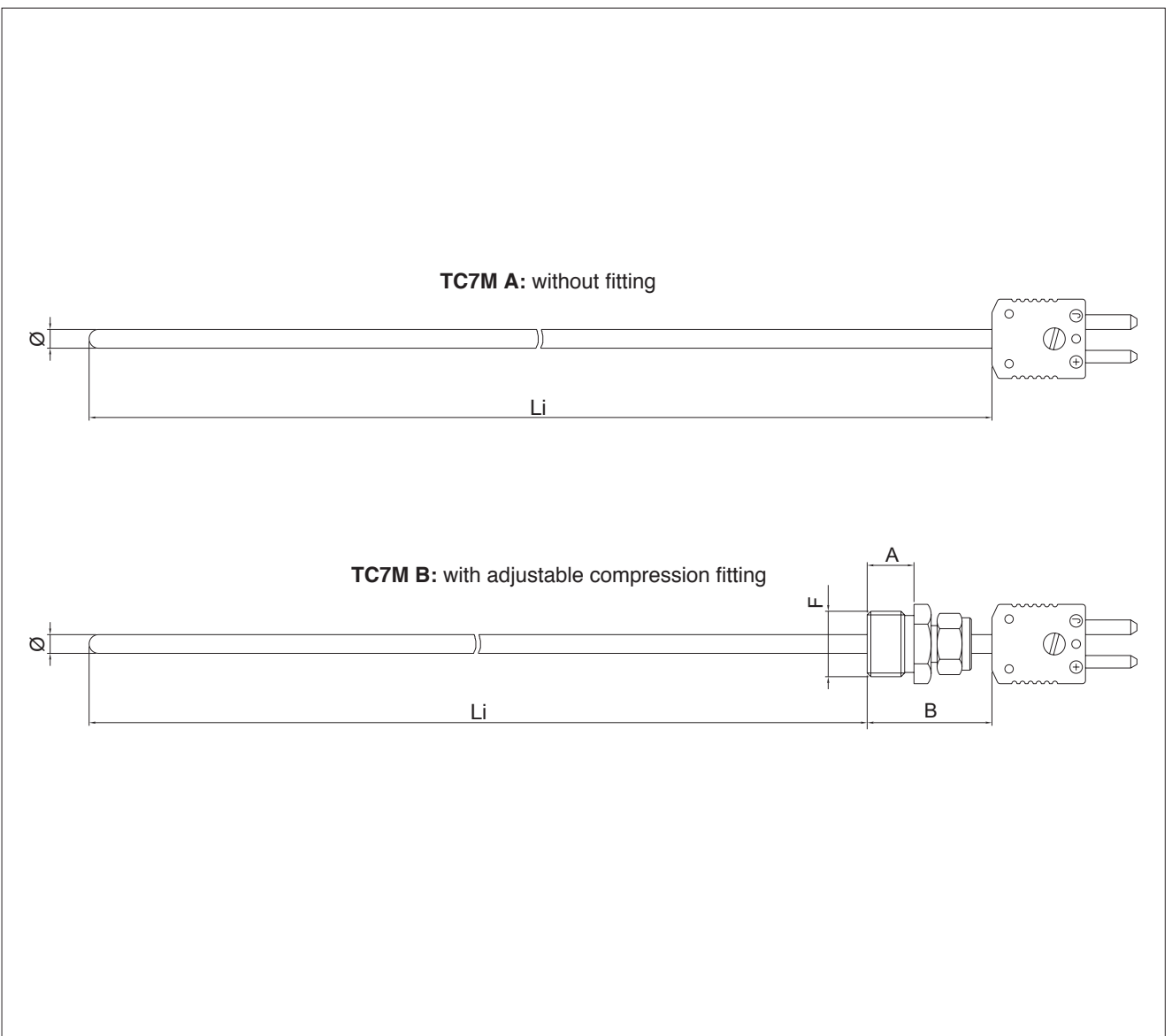


Main features

- Temperature limits:
 - 40 ... + 310° C for type T
 - 40 ... + 550° C for type J
 - 40 ... + 600° C for type E
 - 40 ... + 1050° C for type K
 (see table for sheath diameters)
- Tolerance (IEC standard 584.2/Class 1):
 - for type T: $\pm 0,5^{\circ} \text{C}$ (- 40 ... + 125° C)
 - $\pm 0.004 [t]$ ($t > + 125^{\circ} \text{C}$)
 - for type J, E, K: $\pm 1.5^{\circ} \text{C}$ (- 40 ... + 375° C)
 - $\pm 0.004 [t]$ ($t > + 375^{\circ} \text{C}$)
- Mineral insulated (MgO) thermocouple element and continuous metal sheath
- Application versatility

MODELS



ORDER CODE

<p>CODE T C 7 M 0 0 0 0 0 0 0 X X</p>	<table border="1" style="width: 100%; border-collapse: collapse;"> <tr> <td colspan="2">Model</td> </tr> <tr> <td>Without fitting</td> <td style="text-align: center;">A</td> </tr> <tr> <td>With adjustable compression fitting</td> <td style="text-align: center;">B</td> </tr> <tr> <td colspan="2">Element + Hot Junction</td> </tr> <tr> <td>Single Insulated</td> <td style="text-align: center;">1</td> </tr> <tr> <td>Single Grounded</td> <td style="text-align: center;">2</td> </tr> <tr> <td>Double Insulated</td> <td style="text-align: center;">3</td> </tr> <tr> <td>Double Grounded</td> <td style="text-align: center;">4</td> </tr> <tr> <td colspan="2">Thermocouple Type</td> </tr> <tr> <td>Fe - Cu/Ni</td> <td style="text-align: center;">J</td> </tr> <tr> <td>Ni/Cr - Ni/Al</td> <td style="text-align: center;">K</td> </tr> <tr> <td>Cu - Cu/Ni</td> <td style="text-align: center;">T*</td> </tr> <tr> <td>Ni/Cr - Cu/Ni</td> <td style="text-align: center;">E</td> </tr> <tr> <td colspan="2">(*) Single element only available</td> </tr> <tr> <td colspan="2">Sheath Material</td> </tr> <tr> <td>AISI 316</td> <td style="text-align: center;">C*</td> </tr> <tr> <td>INCONEL 600</td> <td style="text-align: center;">F**</td> </tr> <tr> <td colspan="2">(*) Available for T, J, E models only</td> </tr> <tr> <td colspan="2">(**) Available for K model only</td> </tr> <tr> <td colspan="2">Sheath Diameter (mm)</td> </tr> <tr> <td>1</td> <td style="text-align: center;">B*</td> </tr> <tr> <td>1.5</td> <td style="text-align: center;">C*</td> </tr> <tr> <td>2</td> <td style="text-align: center;">D*</td> </tr> <tr> <td>3</td> <td style="text-align: center;">E</td> </tr> <tr> <td>4.5</td> <td style="text-align: center;">G</td> </tr> <tr> <td>6</td> <td style="text-align: center;">I</td> </tr> <tr> <td>8</td> <td style="text-align: center;">J**</td> </tr> <tr> <td colspan="2">(*) Single element only available</td> </tr> <tr> <td colspan="2">(**) Available for J and K model only</td> </tr> <tr> <td colspan="2">Connection Thread *</td> </tr> <tr> <td>1/8" GAS "A"= 10mm</td> <td style="text-align: center;">A</td> </tr> <tr> <td>1/4" GAS "A"= 12mm</td> <td style="text-align: center;">B</td> </tr> <tr> <td>3/8" GAS "A"= 15mm</td> <td style="text-align: center;">C</td> </tr> <tr> <td>1/2" GAS "A"= 15mm</td> <td style="text-align: center;">D</td> </tr> <tr> <td>1/8" NPT</td> <td style="text-align: center;">G</td> </tr> <tr> <td>1/4" NPT</td> <td style="text-align: center;">H</td> </tr> <tr> <td>3/8" NPT</td> <td style="text-align: center;">I</td> </tr> <tr> <td>1/2" NPT</td> <td style="text-align: center;">J</td> </tr> <tr> <td colspan="2">(*) To be shown for B model only</td> </tr> <tr> <td colspan="2">Connection Material *</td> </tr> <tr> <td>Nickel-Plated Brass</td> <td style="text-align: center;">1</td> </tr> <tr> <td>300 Series Stainless Steel</td> <td style="text-align: center;">2</td> </tr> <tr> <td colspan="2">(*) To be shown for B model only</td> </tr> </table>	Model		Without fitting	A	With adjustable compression fitting	B	Element + Hot Junction		Single Insulated	1	Single Grounded	2	Double Insulated	3	Double Grounded	4	Thermocouple Type		Fe - Cu/Ni	J	Ni/Cr - Ni/Al	K	Cu - Cu/Ni	T*	Ni/Cr - Cu/Ni	E	(*) Single element only available		Sheath Material		AISI 316	C*	INCONEL 600	F**	(*) Available for T, J, E models only		(**) Available for K model only		Sheath Diameter (mm)		1	B*	1.5	C*	2	D*	3	E	4.5	G	6	I	8	J**	(*) Single element only available		(**) Available for J and K model only		Connection Thread *		1/8" GAS "A"= 10mm	A	1/4" GAS "A"= 12mm	B	3/8" GAS "A"= 15mm	C	1/2" GAS "A"= 15mm	D	1/8" NPT	G	1/4" NPT	H	3/8" NPT	I	1/2" NPT	J	(*) To be shown for B model only		Connection Material *		Nickel-Plated Brass	1	300 Series Stainless Steel	2	(*) To be shown for B model only	
Model																																																																																							
Without fitting	A																																																																																						
With adjustable compression fitting	B																																																																																						
Element + Hot Junction																																																																																							
Single Insulated	1																																																																																						
Single Grounded	2																																																																																						
Double Insulated	3																																																																																						
Double Grounded	4																																																																																						
Thermocouple Type																																																																																							
Fe - Cu/Ni	J																																																																																						
Ni/Cr - Ni/Al	K																																																																																						
Cu - Cu/Ni	T*																																																																																						
Ni/Cr - Cu/Ni	E																																																																																						
(*) Single element only available																																																																																							
Sheath Material																																																																																							
AISI 316	C*																																																																																						
INCONEL 600	F**																																																																																						
(*) Available for T, J, E models only																																																																																							
(**) Available for K model only																																																																																							
Sheath Diameter (mm)																																																																																							
1	B*																																																																																						
1.5	C*																																																																																						
2	D*																																																																																						
3	E																																																																																						
4.5	G																																																																																						
6	I																																																																																						
8	J**																																																																																						
(*) Single element only available																																																																																							
(**) Available for J and K model only																																																																																							
Connection Thread *																																																																																							
1/8" GAS "A"= 10mm	A																																																																																						
1/4" GAS "A"= 12mm	B																																																																																						
3/8" GAS "A"= 15mm	C																																																																																						
1/2" GAS "A"= 15mm	D																																																																																						
1/8" NPT	G																																																																																						
1/4" NPT	H																																																																																						
3/8" NPT	I																																																																																						
1/2" NPT	J																																																																																						
(*) To be shown for B model only																																																																																							
Connection Material *																																																																																							
Nickel-Plated Brass	1																																																																																						
300 Series Stainless Steel	2																																																																																						
(*) To be shown for B model only																																																																																							

	<table border="1" style="width: 100%; border-collapse: collapse;"> <tr> <td colspan="2">Certificates</td> </tr> <tr> <td style="text-align: center;">A</td> <td style="text-align: center;">Conformity Report</td> </tr> <tr> <td colspan="2" style="text-align: center;">LENGTHS AND ACCESSORIES</td> </tr> <tr> <td colspan="2" style="text-align: center;">Li = Immersion Length (mm)</td> </tr> <tr> <td colspan="2" style="text-align: center;">Standard length from 100 to 2000mm with 100mm step and from 2000 to 10000mm with 500mm step</td> </tr> <tr> <td colspan="2" style="text-align: center;">Type connector</td> </tr> <tr> <td style="text-align: center;">A</td> <td style="text-align: center;">Standard male</td> </tr> <tr> <td style="text-align: center;">B</td> <td style="text-align: center;">Standard male + female</td> </tr> <tr> <td style="text-align: center;">* D</td> <td style="text-align: center;">Mignon male</td> </tr> <tr> <td style="text-align: center;">* E</td> <td style="text-align: center;">Mignon male + female</td> </tr> <tr> <td colspan="2" style="text-align: center;">(*) Available with 2mm max. sheath ϕ</td> </tr> </table>	Certificates		A	Conformity Report	LENGTHS AND ACCESSORIES		Li = Immersion Length (mm)		Standard length from 100 to 2000mm with 100mm step and from 2000 to 10000mm with 500mm step		Type connector		A	Standard male	B	Standard male + female	* D	Mignon male	* E	Mignon male + female	(*) Available with 2mm max. sheath ϕ	
Certificates																							
A	Conformity Report																						
LENGTHS AND ACCESSORIES																							
Li = Immersion Length (mm)																							
Standard length from 100 to 2000mm with 100mm step and from 2000 to 10000mm with 500mm step																							
Type connector																							
A	Standard male																						
B	Standard male + female																						
* D	Mignon male																						
* E	Mignon male + female																						
(*) Available with 2mm max. sheath ϕ																							

Mechanical Dimensions of Mount (F)		
MOUNT (F)	A (mm)	B (mm)
G 1/8	10	35
G 1/4	12	35
G 3/8	15	40
G 1/2	15	40
1/8 NPT	11	35
1/4 NPT	16	40
3/8 NPT	16	40
1/2 NPT	20	45

Availability of Mounts /Sheathing Diameter								
Mount (F)	$\phi 1$	$\phi 1,5$	$\phi 2$	$\phi 3$	$\phi 4,5$	$\phi 5$	$\phi 6$	$\phi 8$
G 1/8	x	x	x	x	x	x	x	-
G 1/4	-	-	x	x	x	x	x	x
G 3/8	-	-	-	x	x	x	x	x
G 1/2	-	-	-	-	-	x	x	x
1/8 NPT	x	x	x	x	x	x	x	-
1/4 NPT	-	-	x	x	x	x	x	x
3/8 NPT	-	-	-	x	x	x	x	x
1/2 NPT	-	-	-	-	-	x	x	x

GEFRAN spa reserves the right to make any kind of design or functional modification at any moment without prior notice

GEFRAN spa
 via Sebina, 74
 25050 PROVAGLIO D'ISEO (BS) - ITALIA
 ph. 0309888.1 - fax. 0309839063
 Internet: <http://www.gefran.com>
www.gefranonline.com

GEFRAN

DTS_TC7M_12-2015_ENG