

# GEFRAN

## AR2

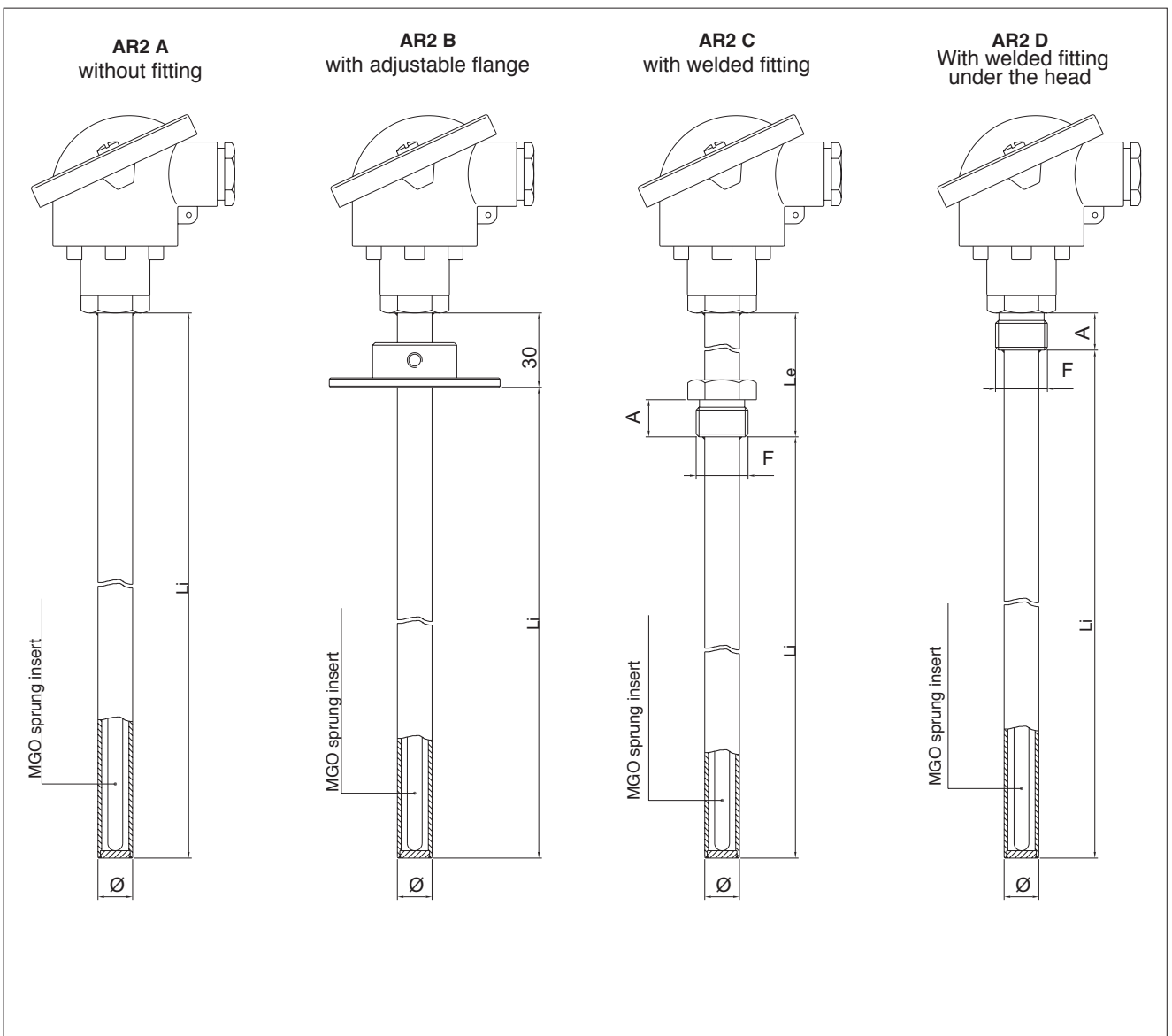
Resistance thermometer with interchangeable insert for measure in industrial processes and furnaces



### Main features

- Amplified output signal
- Temperature limits: -80 ... +600°C
- Tolerance: UNI 7937, IEC 751 standards:
  - ± 0.15° C a 0° C for class A (1/2 DIN)
  - ± 0.30° C a 0° C for class B (1 DIN)
  - ± 0.10° C a 0° C for class 1/3 DIN
- Insulation: > 100 MOhm for voltage values from 10 to 100 Vcc
- PT100 wire-wound resistance thermometer
- Mineral insulated interchangeable insert
- Application versatility

### MODELS



# ORDER CODE

CODE

A R 2 | | | | | | | | 0 | 0 0 0 X | | | | X | | | | | | A |

Model	
Without fitting	A
With adjustable flange	B
With welded fitting	C
With welded fitting under the head	D

Element + Nr. of Wires	
Single 2 wires	1
Single 3 wires	2

Precision Class	
PT100 class A (1/2 DIN)	A
PT100 class B (1 DIN)	B
PT100 class (1/3 DIN)	C

Connection Head	
DIN B	C
DIN BUS	E
EEX d IIC 2GD	F
CEAA	H
DIN BUZ - H	I

Sheath Material	
AISI 304	A
AISI 310	B
AISI 316	C
INCONEL 600	F

Sheath Diameter (mm)	
10	K
12	L
14	M
16	O
17.2 (3/8")	P
21.3 (1/2")	Q
26.7 (3/4")	T

Connection Thread *		
3/8" GAS	"A"= 15mm	C
1/2" GAS	"A"= 15mm	D
3/4" GAS	"A"= 18mm	E
1" GAS	"A"= 18mm	F
3/8" NPT		I
1/2" NPT		J
3/4" NPT		K
1" NPT		L

(\*) To be shown for C model only

Connection Material / flange		
300 Series Stainless Steel	2	*
Aluminium	4	**
Carbon Steel	5	**

(\*) For fittings only  
(\*\*) For flanges only

Sensors amplifiers are manufactured in compliance with:  
- EMC 2014/30/EU compatibility directive  
- RoHS 2011/65/EU directive

Mod. C - D	
MOUNT (F)	A (mm)
G 3/8	15
G 1/2	15
G 3/4	18
G 1	20
3/8 NPT	16
1/2 NPT	20
3/4 NPT	20
1 NPT	25

Availability of Mounts /Sheathing Diameter								
MOUNT (F)	ø10	ø12	ø14	ø16	ø17.2	ø21.3	ø26.7	
G 3/8	x	x	-	-	-	-	-	-
G 1/2	x	x	x	x	-	-	-	-
G 3/4	x	x	x	x	x	x	-	-
G 1	x	x	x	x	x	x	x	x
3/8 NPT	x	x	-	-	-	-	-	-
1/2 NPT	x	x	x	x	-	-	-	-
3/4 NPT	x	x	x	x	x	x	-	-
1 NPT	x	x	x	x	x	x	x	x

Electrical installation requirements and Conformity certificate are available on our web site: [www.gefran.com](http://www.gefran.com)

GEFRAN spa reserves the right to make any kind of design or functional modification at any moment without prior notice

# GEFRAN

GEFRAN spa  
via Sebina, 74  
25050 PROVAGLIO D'ISEO (BS) - ITALIA  
ph. 0309888.1 - fax. 0309839063  
Internet: <http://www.gefran.com>

DTS\_AR2\_04-2016\_ENG

Certificates	
A	Conformity Report

LENGTHS AND ACCESSORIES

Type of Transmitter	
A	4 ÷ 20mA

Li = Immersion Length (mm)	
Standard length from 100 to 2000mm with 50mm step	

Le = Extension Length (mm) *	
Standard length from 35 to 200mm with 10mm step	

(\*) Available for AR2C only

Temperature range in which the calibration has to be made

min T	max T
°C	°C
4mA	20mA

